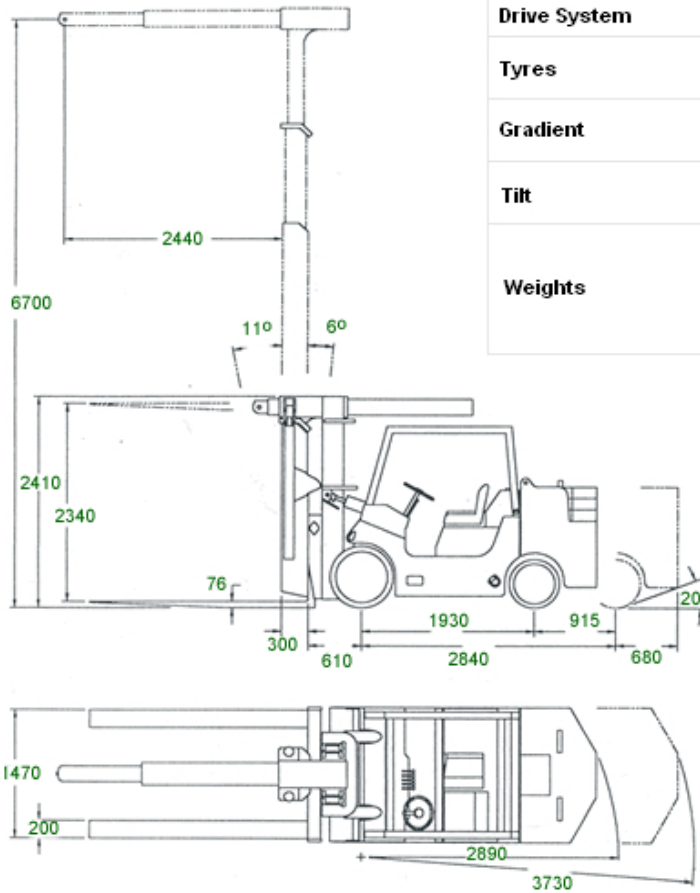


Versalift 25/35

Dimension Drawings & Statistics...

Versalift 25/35 Statistics

Engine	Continental TM27 LP Gas
Drive System	Hydrostatic
Tyres	Front 28x16 Poly Rear 22x8 Poly
Gradient	Empty 38% Loaded 17%
Tilt	Forward 11° Backward 6°
Weights	Boom - 1,360 kgs Counter - 2,720 kgs Forks - 680 kgs Total - 15,650 kgs



11,350 kgs @ 610mm Retracted
15,880 kgs @ 610mm Extended

** Measurements vary from **
Machine to Machine

Versa-Lift 25/35

Specifications...

VERSA-LIFT 25/35 CAPACITY TABLE (FORKS) ☰

Slab Weight (kgs)	Number of Slabs	Wheel Base (mm)
860 kgs	3	1930 mm

Counter Weight Extension (mm) ☰

		0	300	600	900
Load Centre	600	11000	12800	14600	16300
from Fork	900	8900	10300	11700	13000
Face (mm)	1200	7400	8600	9700	10900
	1500	6300	7300	8300	9300
	1800	5600	6400	7300	8100
	2100	4900	5700	6500	7200

Lift Capacities w/Forks Only (kgs)

VERSA-LIFT 25/35 CAPACITY TABLE (BOOM) ☰

Slab Weight (kgs)	Number of Slabs	Wheel Base (mm)
860 kgs	3	1930 mm

Counter Weight Extension (mm) ☰

		0	300	600	900
Load Centre	150	10700	12400	14200	15900
from Fork	600	8600	9900	11300	12700
Face (mm)	900	7100	8300	9400	10600
	1200	6100	7100	8100	9100
	1500	5400	6200	7100	7900
	1800	4800	5500	6300	7100
	2100	4300	5000	5700	6400
	2400	3900	4500	5200	5800

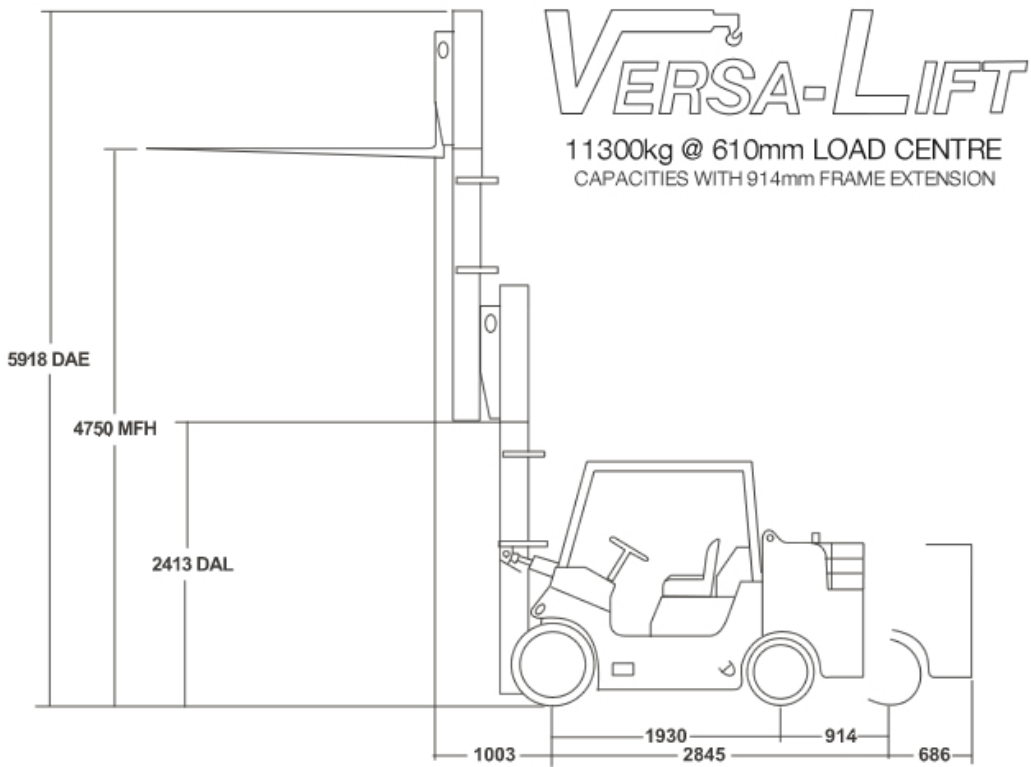
Lift Capacities w/Boom Only (kgs)

VERSA-LIFT 25/35 FLOOR LOADINGS ☰

	DRIVE AXLE		STEER AXLE	
	Psi	Kpa	Psi	Kpa
No Load	7.71	53.00	8.16	56.00
Frame in with 11 tonne (11000 kgs) load	25.40	175.00	1.63	11.00
Frame out with 16 tonne (16000 kgs) load	30.12	208.00	1.63	11.00
Ground Pressure not loaded	N/a	N/a	268.00	1847.00
Ground Pressure with 16 tonne (16000 kgs) load	495.00	3411.00	N/a	N/a
	Sq inches	Sq cms	Sq inches	Sq cms
Footprint per wheel	67.00	432.00	33.50	216.00

*** All load capacities are rated with the mast vertical ***
For full capacity list with 0 to 2 counterweights please [contact us](#)

Versa-Lift 25/35
WITH DOUBLE MAST ATTACHMENT



**25/35 VERSA-LIFT WITH DOUBLE MAST ATTACHMENT
& 3 COUNTERWEIGHT SLABS**

Slab Mass (kgs)
860 kgs

Number of Slabs
3

Wheel Base (mm)
1930 mm

		Lift Capacities w/Forks Only (kg)			
		Counter Weight Extension (mm)			
		0	305	610	914
Load Centre From Fork Face (mm)	610	7600	8900	10000	11300
	914	6500	7500	8500	9500
	1219	5500	6400	7300	8200
	1524	4900	5600	6400	7200
	1829	4400	5000	5700	6400
	2134	4000	4500	5200	5800

** All Load Capacities are rated with the Mast Vertical **